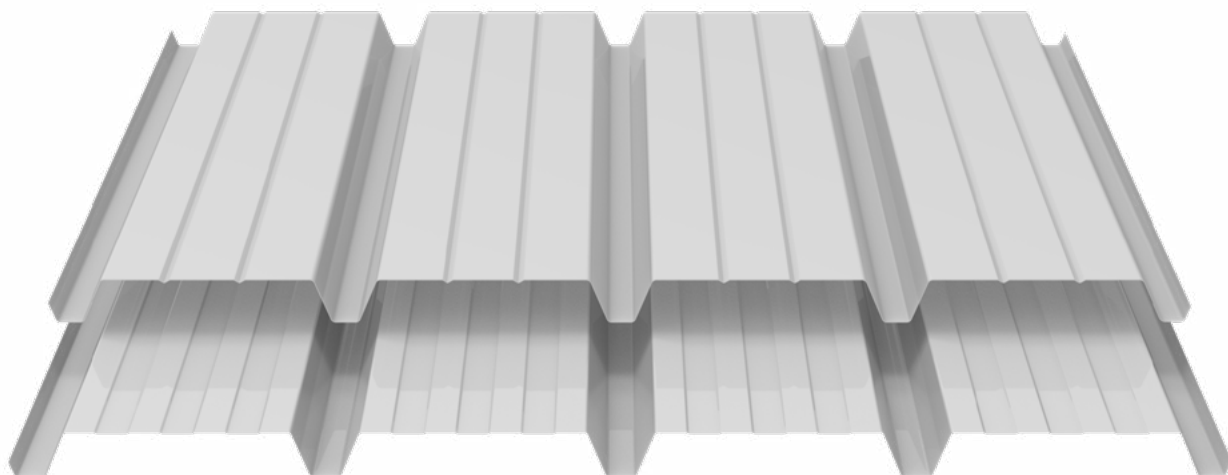
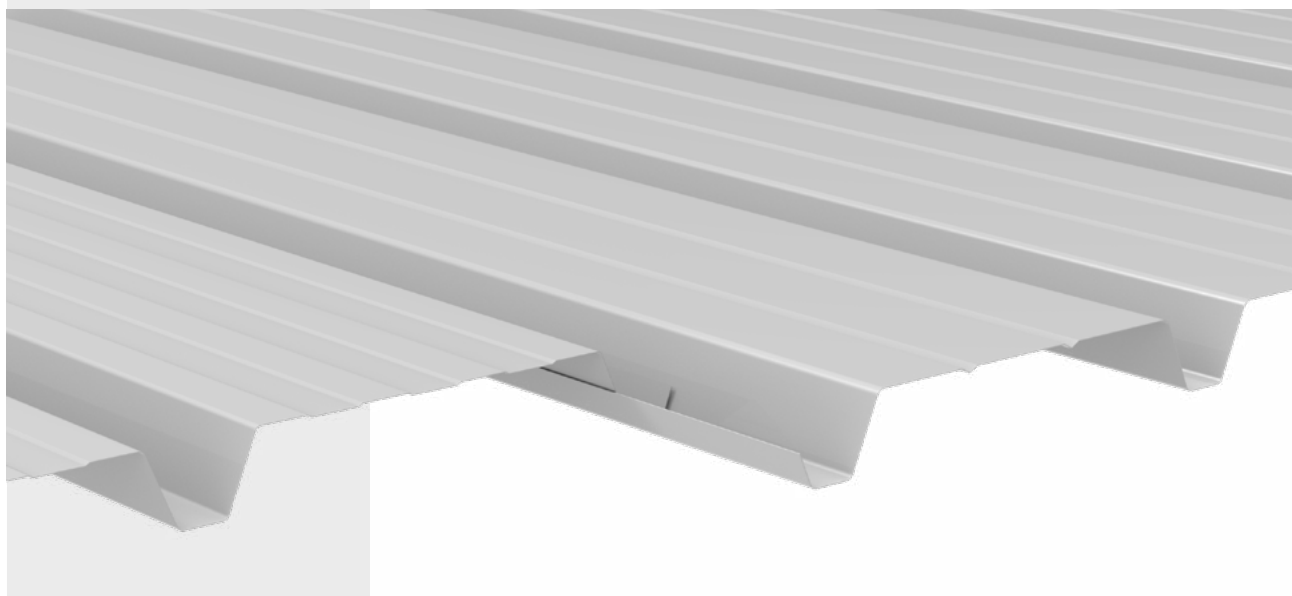
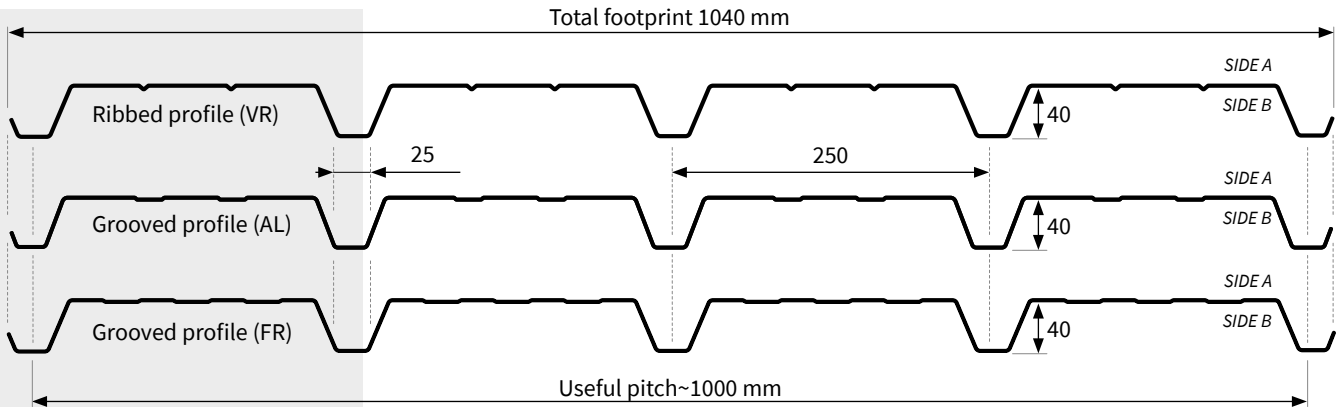


LG 40-R



Product Description	<ul style="list-style-type: none">• LG 40_R is handy and easy to install• Includes straight and curved plates• in aluminium with the characteristic of being able to be bent on site
Useful width - "M"	1000 mm
Available length	On request Minimum length: 1800 mm Maximum recommended length: 13500 mm
Metal sheets	Pre-painted sheet





Dimensional tolerances

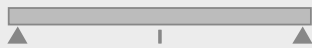
Length	Useful width	Out of square	Development
+10 mm up to 3000 mm	± 5 mm	S ≤ 0,5% of useful length	1250 mm
+20 mm above 3000 mm			
-5 mm for all lengths			

Cross-section features

Sheet thickness mm	0.5	0.6	0.7	0.8	1.0
Weight (kg/gross sqm)	4.9	5,89	6,87	7,85	9,81
J (cm ⁴ /m)	12.3	16,05	18,72	21,40	26,75
W (cm ³ /m)	3,92	5,30	6,18	7,07	8,83

Capacity tables

Uniformly distributed load
 [kg/m²]

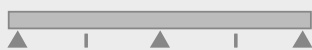


Steel sheet THICKNESS mm	SPAN (m)												
	1,00	1.25	1.50	1.75	2.00	2.25	2.50	2.75	3.00	3,25	3.50	3,75	
0.5	360	230	152	104 117	84 109	59 74	37 57	27 47					
0.6	504	322	224	145 164	97 126	68 99	49 80	37 66					
0.7	603	386	268	178 196	119 150	84 119	61 96	46 79	35 66				
0.8	701	449	311	214 229	146 175	100 138	73 112	55 92	42 78	33 65	27 56		
1.0	903	578	401	289 298	194 225	136 175	99 144	74 119	57 100	45 85	36 73	29 64	

Values in red have no deflection limitations,

Capacity tables

Uniformly distributed load
 [kg/m²]



Steel sheet THICKNESS mm	SPAN (m)												
	1,00	1.25	1.50	1.75	2.00	2.25	2.50	2.75	3.00	3,25	3.50	3,75	
0.5	467	300	207	147	115	83 91	61 73	41 60	30 51				
0.6	630	403	280	205	157	113 124	83 100	62 83	48 70				
0.7	754	482	335	246	188	140 148	102 120	76 99	59 83	46 71	37 61		
0.8	877	561	389	286	219	168 173	122 140	92 116	71 97	55 83	44 71	36 62	
1.0	1129	722	502	368	282	223	165 180	124 149	95 125	75 106	60 92	49 80	

Values in red have no deflection limitations,

Instructions for use

consult the Technical Manual, General Sales Conditions and Annexes available on the website,